

Compact Balances

EJ

Series



EJ-1500



EJ-120

The EJ Series compact balances are specifically designed for on-line and catalog sales. Their performance and functions are also ideally suited for the education market.

- Unique and eye-catching color design.
- Hygienic and rustproof stainless steel pan.
- Supports multiple weighing units.
- Slot in the rear for an anti-theft lock.
- Stackable body to save storage space.
- Calculates density automatically.*

* The optional density determination kit (EJ-13) is required.



Stackable body



AND ...Clearly a Better Value
A&D Company, Limited

Compact Balances **EJ** Series

Specifications

	EJ-120	EJ-200	EJ-300	EJ-410	EJ-610	EJ-1500	EJ-2000	EJ-3000	EJ-4100	EJ-6100	
Weighing capacity	120 g	210 g	310 g	410 g	610 g	1500 g	2100 g	3100 g	4100 g	6100 g	
Min. weighing value	0.01 g					0.1 g					
Weighing units	g, pcs, %, oz, lb, ozt, ct, mom, dwt, GN, N, SG (density), tola*, tael (HG, HJ, T)*										
Counting mode	Max. count**	12,000 pcs	21,000 pcs	31,000 pcs	41,000 pcs	61,000 pcs	15,000 pcs	21,000 pcs	31,000 pcs	41,000 pcs	61,000 pcs
	Min. unit weight**	0.01 g					0.1 g				
	No. of samples	5, 10, 25, 50 or 100 pieces									
Percent mode	Min. % display	0.1%									
	Min. 100% weight	1 g					10 g				
Repeatability (Standard Deviation)		0.01 g					0.1 g				
Linearity		±0.01 g	±0.02 g			±0.1 g		±0.2 g			
Sensitivity drift		±20 ppm/°C (10°C to 30°C / 50°F to 86°F)									
Display type		7-segment LCD with backlight (character height 16 mm)									
Display refresh rate		10 times per second									
Operating temperature		-10°C to 40°C / 14°F to 104°F, 85%RH or less (no condensation)									
Power supply		AC adapter or 4 AA batteries									
Battery operation		Approximately 70 hours (backlight off, alkaline batteries)									
Calibration mass**		100 g	200 g	300 g	400 g	600 g	1500 g	2000 g	3000 g	4000 g	6000 g
Weighing pan size		ø110 mm					127 mm x 140mm				
Net weight		Approximately 850 g					Approximately 970 g				

* For special versions only. One of them can be selected and installed at the factory.

** Factory setting

Options

EJ-13



EJ-11

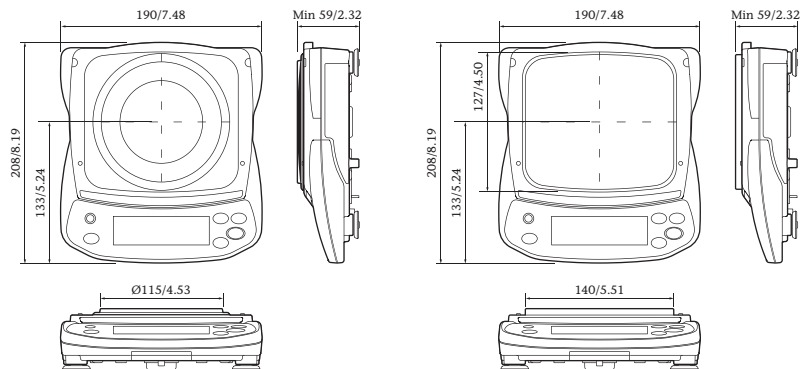


- EJ-02** Quick USB interface
- EJ-03** RS-232C interface
- EJ-07** Underhook for EJ-3000 / EJ-4100 / EJ-6100
- EJ-08** Underhook for EJ-1500 / EJ-2000
- EJ-11** Breeze break
- EJ-12** Carrying case
- EJ-13** Density determination kit for EJ-120 / EJ-200 / EJ-300 / EJ-410 / EJ-610



EJ-12

Dimensions (mm/inches)



EJ-120/200/300/410/610

EJ-1500/2000/3000/4100/6100



WolfLabs

Pricing on any accessories shown can be found by keying the part number into the search box on our website.

The specifications listed in this brochure are subject to change by the manufacturer and therefore cannot be guaranteed to be correct. If there are aspects of the specification that must be guaranteed, please provide these to our sales team so that details can be confirmed.

www.wolflabs.co.uk

Tel : 01759 301142

Fax : 01759 301143

sales@wolflabs.co.uk

Please contact us if this literature doesn't answer all your questions.